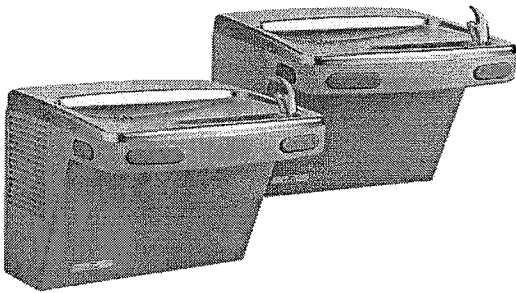


Illustrated Parts Breakdown



Illustrated Parts Breakdown

Models: P8ACSL-D300



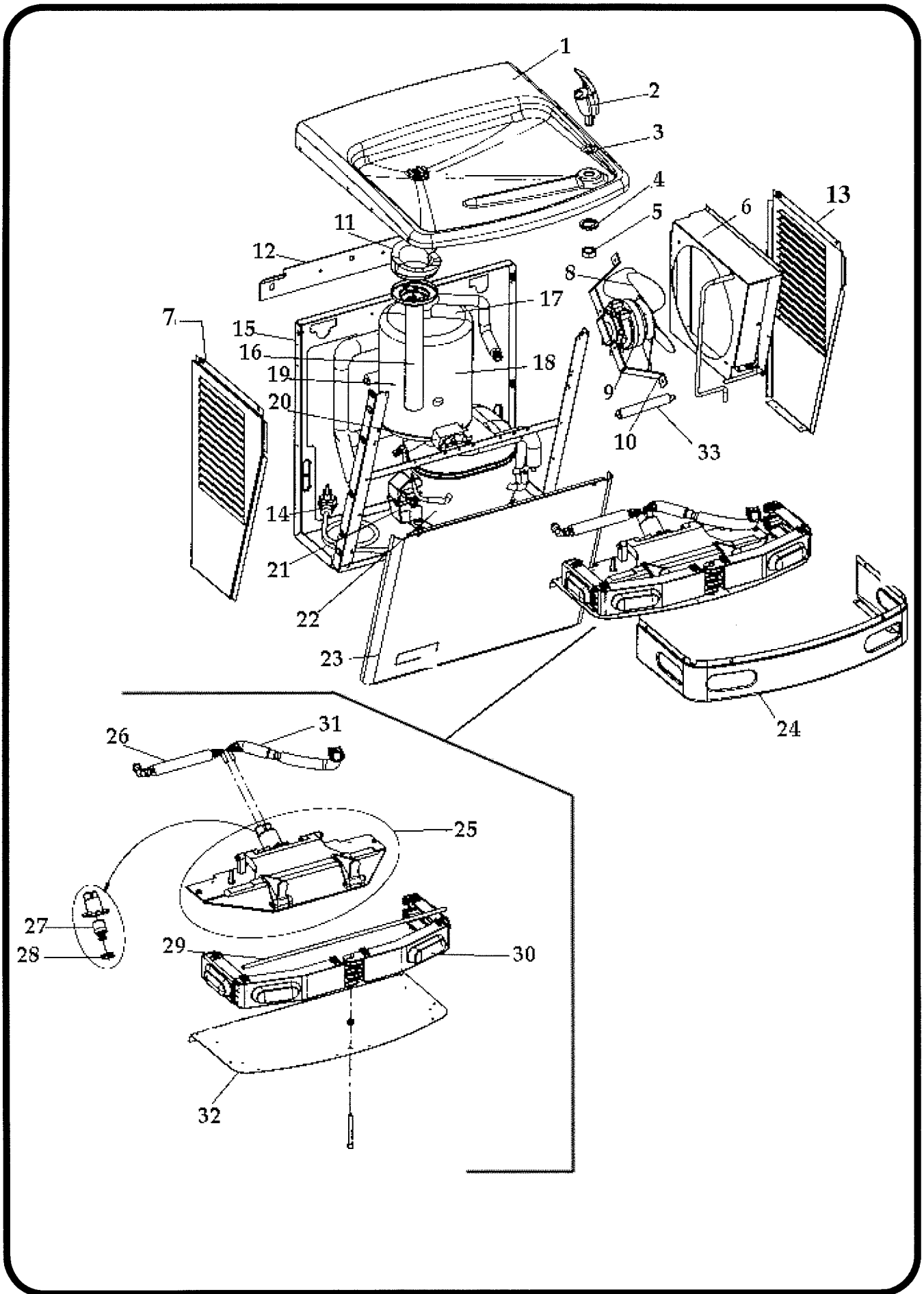
SPECIFICATIONS:

Models: P8ACSL-D300

Voltage	115VAC±10%/1 PH/60 Hertz
Size	35 1/4" W, 18 5/8" D, 24 29/32" H
Shipping Weight (Approx)	84 lbs.
Cold Water Capacity*	8 GPH
Compressor	1/4 hp
Compressor (Full Load)	4.6 amps
Refrigerant	134a
Refrigerant Charge	4.75 OZ

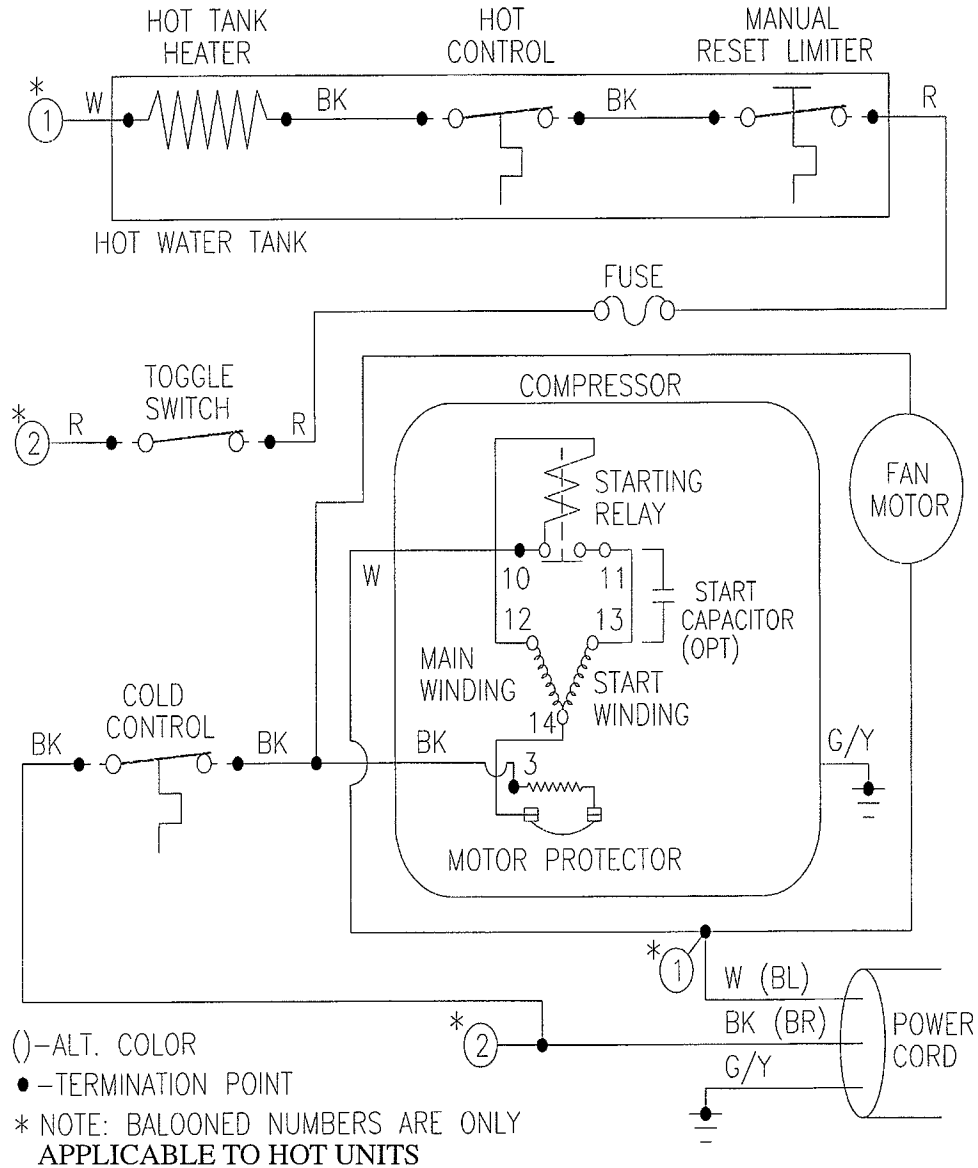
*Room Temperature 90°F; Supply Water Temperature 80°F; Drinking Water Temperature 50°F.

Specifications subject to change without notice.



Item#	Description	P8ACS-D300	PACS-001
1	Top.....	031714-001	031714-001
2	Bubbler.....	032799-011	032799-011
	Nozzle.....	030029-007	030029-007
3	Gasket.....	028706-031	028706-031
4	Washer, Undertop.....	028706-030	028706-030
5	Locknut.....	026824-019	026824-019
6	Condenser.....	031766-001	N/A
7	Side Panel, Left Sandstone.....	035080-102	035080-002
	Side Panel, Left Greystone.....	035080-101	035080-001
	Side Panel, Left Stainless Steel.....	035080-103	035080-003
8	Blade, Fan.....	024033	N/A
9	Motor, Fan.....	027354-036	N/A
10	Bracket, Fan Motor.....	026969	N/A
11	Waste Gasket.....	031756-001	031756-001
12	Hanger Bracket.....	031363-002	031363-002
13	Side Panel, Right Sandstone.....	035081-002	035081-102
	Side Panel, Right Greystone.....	035081-001	035081-101
	Side Panel, Right Stainless Steel.....	035081-003	035081-103
14	Service Cord.....	026540-045	N/A
15	Frame.....	035089-001	035089-001
16	Waste Assy.....	031892-005	023046-001
17	Insulation Right Cooling Tank.....	035088-001	N/A
18	Insulation Left Cooling Tank.....	035088-002	N/A
19	Cooling Tank, Insulated.....	033469-051	N/A
20	Cold Control.....	027040-039	N/A
21	Overload/Relay Combination.....	032836-007	N/A
22	Compressor (includes pt 21).....	033425-004	N/A
23	Front Panel, Sandstone.....	035079-002	035079-002
	Front Panel, Greystone.....	035079-001	035079-001
	Front Panel, Stainless Steel.....	035079-003	035079-003
24	Front Nosepiece, Sandstone.....	035077-002	035077-002
	Front Nosepiece, Greystone.....	035077-001	035077-001
	Front Nosepiece, Stainless Steel.....	035077-003	035077-003
25	Activation Assy.....	035509-001	035509-001
26	Waterline, Tank to Valve.....	035501-001	035503-001
27	Cartridge.....	029967-001	029967-001
28	Retaining Nut, Cartridge.....	A020957	A020957
29	Push Rod.....	035085-001	035085-001
30	Push Pad.....	035082-001	035082-001
31	Waterline, Valve to Bubbler.....	035504-001	035504-001
32	Activation Shelf.....	035078-001	035078-001
33	Drier, Refrigerant.....	034343-003	N/A
Parts Not Shown			
	Strainer, In-Line.....	033264-003	033264-003
	Capacitor.....	027956-004	N/A
	Water Supply Line.....	N/A	031506-007
	Waste Arm Assy.....	N/A	029611-003
	Brace Panel.....	N/A	032102-002
	Tube Assy, Inlet.....	N/A	032041-002
	Waste Tee.....	N/A	019733
	Waste Extension Tube.....	N/A	018066-005
	Supply Tube Extension.....	N/A	032312-001

Wiring Diagram: P8ACSL-D301



OASIS Corporation

265 N Hamilton Rd • PO Box 13150 • Columbus OH 43213
 614/861-1350 • 888-820-7525
 614/861-0231 Fax
www.oasiswatercoolers.com